

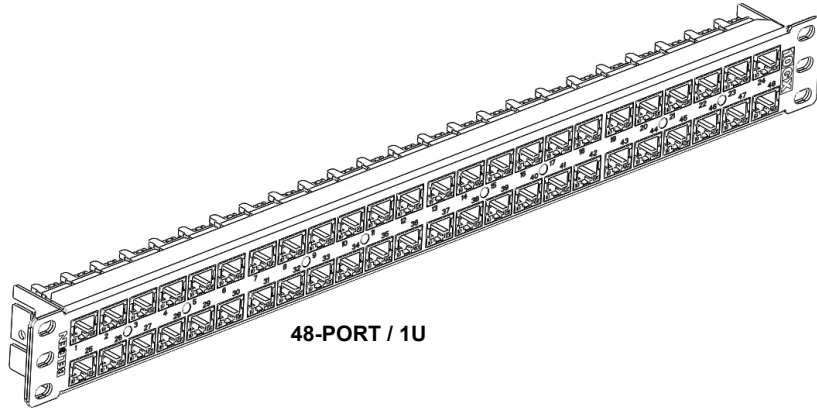
Installation Guide

Patch Panel 48 PORT/1U 10GX / CAT6+ / CAT5E

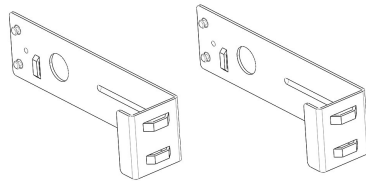
Mounting on 19" racks

Doc # PX104692 Release 01

1 of 2 pages



48-PORT / 1U



Rear Cable Management Bracket
- Qty: 2

Reference Documents

Installation Guide

- PX103329 - GigaFlex Module
- PX103771 -10GX Module

Belden Tools

- AX100749 - GigaFlex connecting tool

Standard Tools

- Phillips screwdriver
- Cable stripper

LabelFlex™ Software : AX101569

printing instruction at
www.belden.com/pdfs/techpprs/printing_instructions.pdf

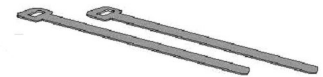
LabelFlex™ Sheet Qty: 1

Ordering no.: AX103275



Part #	Description
AX103262	CAT5E 48 PORT / 1U
AX103263	CAT6+ 48 PORT / 1U
AX103264	10GX 48 PORT / 1U

Velcro® Ties – Qty: 2 / Patch Panel



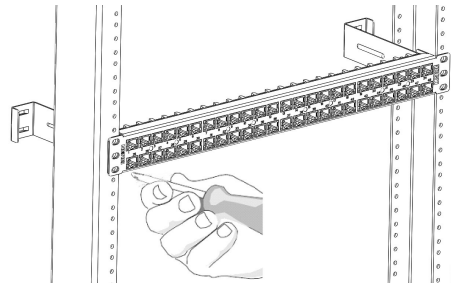
Machine Screws:

10 x 32 Qty: 4

12 x 24 Qty: 4

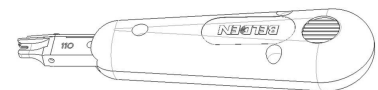


- Using the appropriate screws, attach the Patch Panel into the rack.

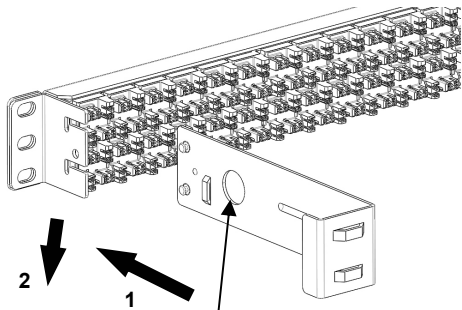


- GigaFlex Connecting Tool (component supplied separately).

-Refer to Jack Installation Guide.

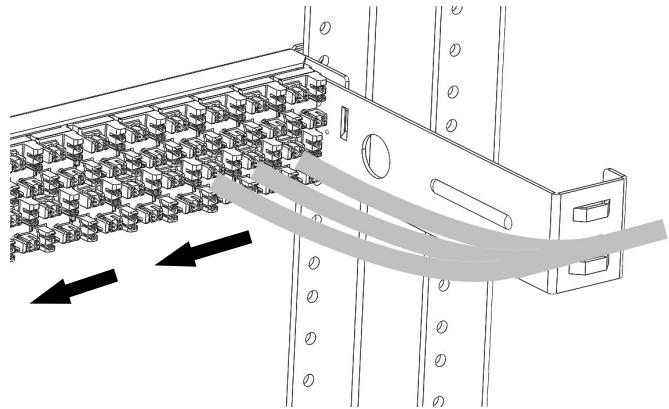


3. Rear Cable Management Bracket Installation

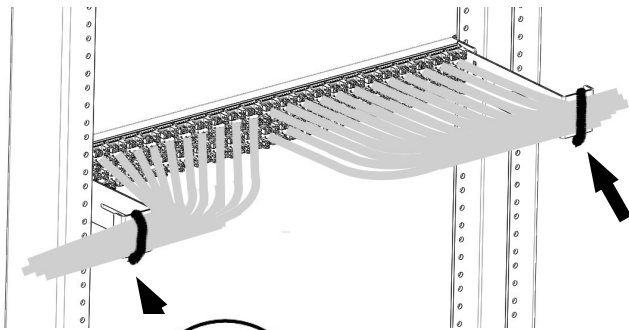


Installer's Tips : insert a screw driver in the hole to remove the bracket

4. Continue assembling cables in this sequence method with the Cable Management Bracket initially installed to get the appropriate length for each cables. The bracket could be removed after to ease the installation.



5. Secure cables over the brackets with Velcro® Ties provided in the kit.



Attach the Velcro® Ties on the bridge of the rear bracket.

6. Label installation : affix label using edge of outer connector opening in patch panel as a guide.

